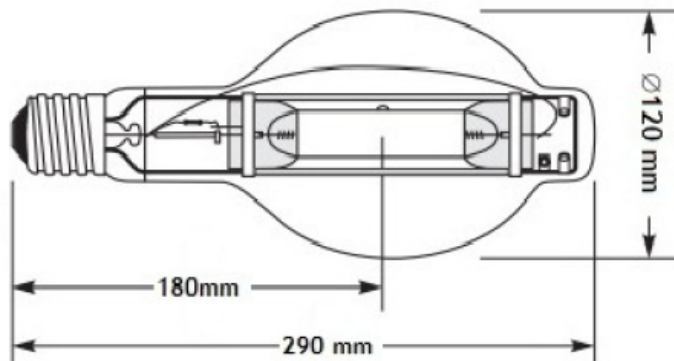


| | |
|-------------------------------------|----------------------------------|
| Name: Single Ended Halide | MH 1000W/ BT37 /4200K/E39 |
| ANSI Designation | M47 |
| Performance Data | |
| Light Output (Lumens100Hrs) | 110000 |
| Lamp Lumens Per Watt | 110 |
| Mean Output (Lumens) | 88000 |
| Rated Life (Hrs. 10 Hr.1Strat) | 10000 |
| Color Temperature (k) | 4200K * |
| Chromaticity (CIE-x/y) | 0.380, 0.377 |
| Color Rendering Index (CRI) | 60 |
| To 90% Warm Up Time (Minute) | 3-5 |
| Hot Restart Time (Minute) | 10-15 |
| Burning Position | Universal |
| Physical Data/ Requirements | |
| Base Designation | MOG (E39) |
| Bulb Designation | BT37(BT37) |
| Bulb Diameter mm | Φ 120 |
| Max Overall Length (MOL) mm | 292max |
| Light Center Length (LCL) mm | 178 ± 5 |
| Effective Arc Length | 94 |
| Max Base Temperature(°C) | 210°C |
| Max Bulb Temperature(°C) | 430°C |
| Luminaire type | ENCLOSED |
| Socket Pulse Rating (KV) | --- |
| Socket Style | MOG |
| Electrical Data/ Requirement | |
| Lamp Wattage (W) | 1000W |
| Operating Voltage (V) | 263V |
| Operating Current (Amps) | 4.1 A |
| Min. Open Circuit Voltage (RMS) | 530V |
| Min Max Starting Pulse (Peak v) | ----- |
| Min Pulse Width (u sec) | ----- |
| Min Pulse Rate Per 1/2 Cycle | ----- |
| Pulse Position(Min.% OCV Peak) | ----- |



BT37 - 1000W